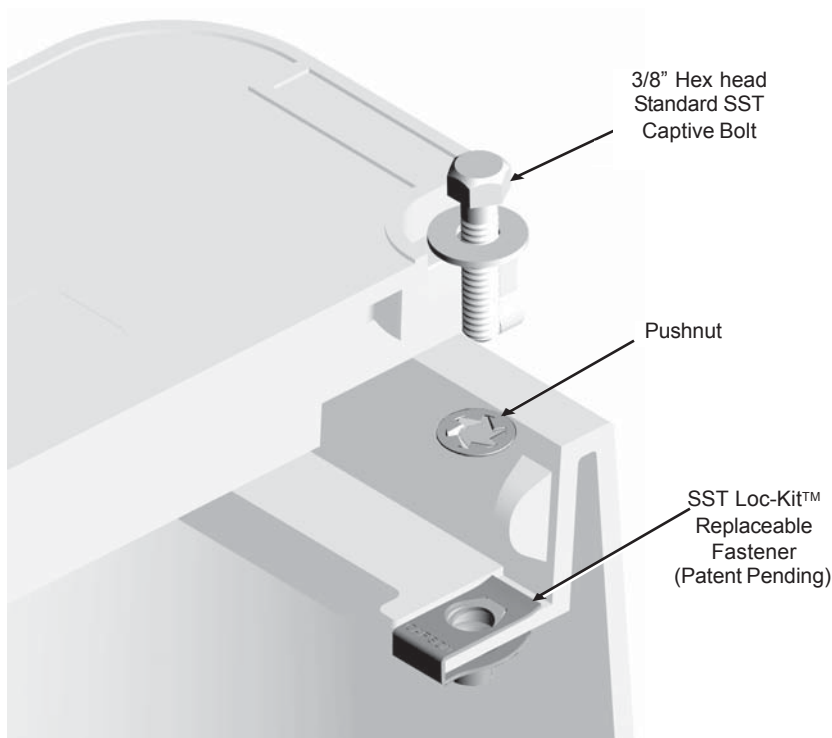




1160 Nicole Court  
 Glendora, CA 91740  
 800-735-5566 • 909-592-6272  
 Fax: 909-592-7971  
 www.carsonind.com

## Specification Grade

## Options



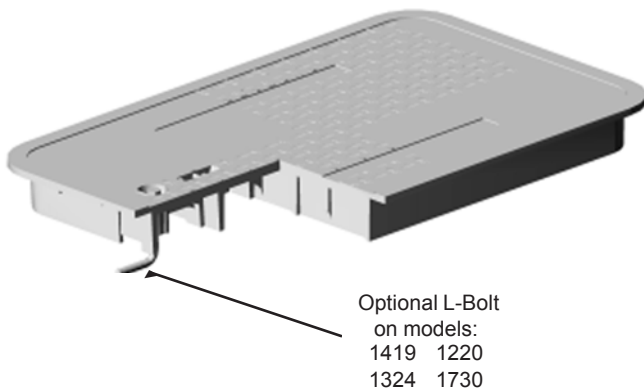
### HDPE BOX ASSEMBLY WITH CAPTIVE BOLT AND LOC-KIT™

#### Standard Hardware for all Bolt Down Models:

910  
 1419  
 1220  
 1324  
 1730

#### Optional Penta-Head Bolts:

Small or Large-Special Order



#### Captive L-Bolt Option:

Included with models:

1324  
 1730

Special Order for models:

1419  
 1220

All information contained in this brochure was current at the time of printing. Because of Carson Industries' policy of ongoing research and development, the Company reserves the right to discontinue or update product information without notice.