



**Glendora, California**

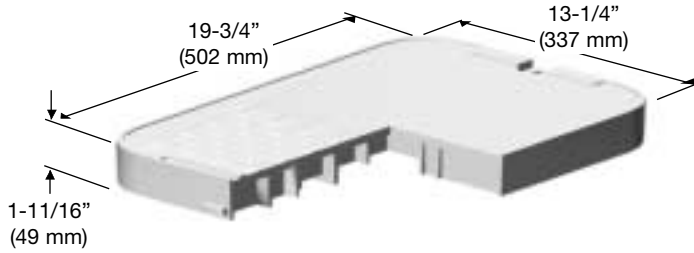
Toll-Free: 800.735.5566  
 Phone: 909.592.6272  
 Fax: 909.592.7971

**Roscommon, Ireland**

Phone: 35.39.03.25922  
 Fax: 35.39.03.25921

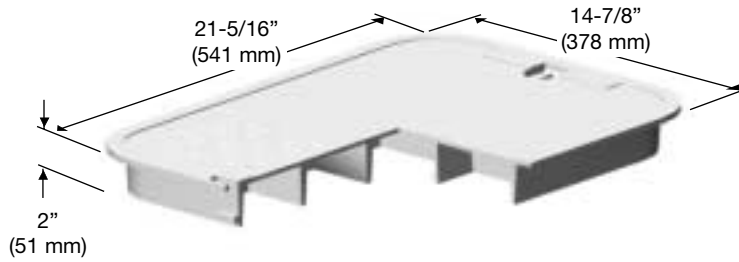
# L Series 1220-6X

## Light Duty



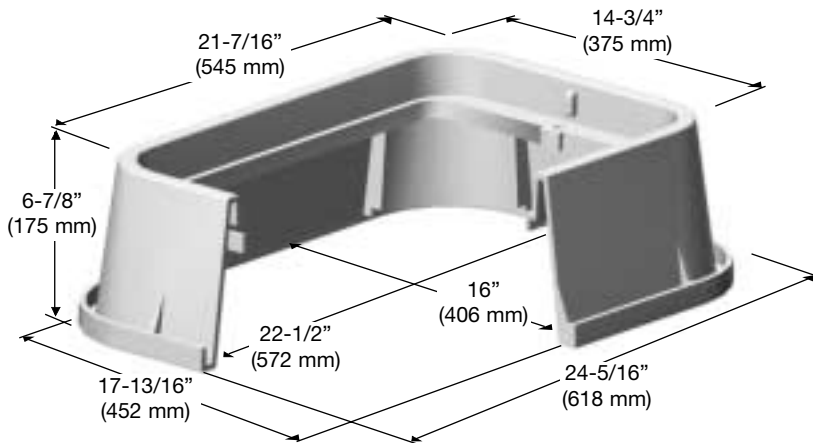
**Flush Cover**

Material: HDPE  
 Weight: 4.0 lbs.  
 Model: 1220-3 No Bolt  
 1220-3B Bolt Down



**T-Cover**

Material: HDPE  
 Weight: 4.0 lbs.  
 Model: 1220-4 No Bolt  
 1220-4B Bolt Down  
 See *OPTIONS SECTION*:  
 – Meter reader cover



**Extension Body**

Material: HDPE  
 Weight: 6.0 lbs.  
 Model: 1220-6X

**Colors Available**

Green, Gray, Black, Tan or Violet

Note: For use in non-vehicular traffic situations only. We do not recommend installation in concrete or asphalt. Weights and dimensions may vary slightly.

# L Series 1220-6X

## Light Duty

### Static Vertical Load Rating (Design Load; Test Load)

- ASTM C857 – A-0.3, 300 lbf/ft<sup>2</sup>; Report Ultimate
- SCTE – Light Duty, Pedestrian; 3,000 lbf

### Shipping Configuration

- Unit, 28 assemblies, = 51.33 cu. ft., 330.0 lbs.
- Unit, 32 extensions only, = 210.0 lbs.

## Carson Industries, LLC

### Glendora, California

Toll-Free: 800.735.5566  
Phone: 909.592.6272  
Fax: 909.592.7971

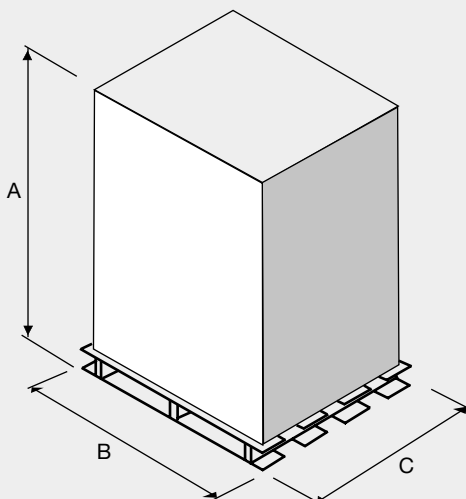
### Roscommon, Ireland

Phone: 35.39.03.25922  
Fax: 35.39.03.25921

Material Property	ASTM Test	
	Method	Typical Value <sup>1</sup>
Type, Class, Category	D 1248	III, A, 3
Density, g/cm <sup>3</sup>	D 1505	0.950 min., not to exceed 0.965
Tensile Strength, at break, psi	D 638	3,000 to 4,400
Elongation, at break, %	D 638	400
Tensile Impact, ft-lb/in <sup>2</sup>	D 1822	27
Flexural Modulus, psi	D 790	120,000 min., not to exceed 240,000
Low Temperature Brittleness, F50, at °C	D 746	<-76
Hardness, Shore D	D 2240	66
Deflection Temperature, at 66 psi, °F	D 648	150° min., not to exceed 200°
Electrical Dielectric Strength, V/mil	D 149	400 min., not to exceed 600
<b>Molded Product<sup>2</sup></b>		
Chemical Resistance	D 543	Very Resistant
Water Absorption	D 570	Less than 1% weight change

<sup>1</sup>The values listed for physical property measurements are nominal values only. Certain physical property measurements are subject to variations consistent with the test methods and are within a generally accepted range for such values.  
<sup>2</sup>Test reports available on request.

### Shipping Information



UNIT			FLUSH COVER			T-COVER		
Dim.	Description	Value	Dim.	Description	Value	Dim.	Description	Value
A	Height	50"	A	Height	47"	A	Height	53"
B	Length	40"	B	Length	40"	B	Length	40"
C	Width	48"	C	Width	48"	C	Width	48"

**Units:** 32 per pallet  
**Weight:** 360 lbs. per pallet

**Units:** 150 per pallet  
**Weight:** 640 lbs. per pallet

**Units:** 150 per pallet  
**Weight:** 640 lbs. per pallet

BODY		
Dim.	Description	Value
A	Height	48"
B	Length	40"
C	Width	48"

**Units:** 32 per pallet  
**Weight:** 230 lbs. per pallet

Note: For use in non-vehicular traffic situations only. We do not recommend installation in concrete or asphalt. Weights and dimensions may vary slightly.

All information contained in this brochure was current at the time of printing. Because of Carson Industries' policy of ongoing research and development, the Company reserves the right to discontinue or update product information without notice.