



**Glendora, California**

Toll-Free: 800.735.5566

Phone: 909.592.6272

Fax: 909.592.7971

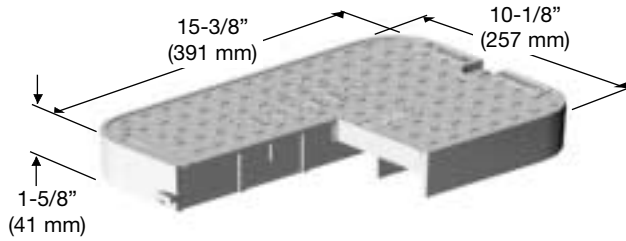
**Roscommon, Ireland**

Phone: 35.39.03.25922

Fax: 35.39.03.25921

# L Series 1419-6

## Light Duty



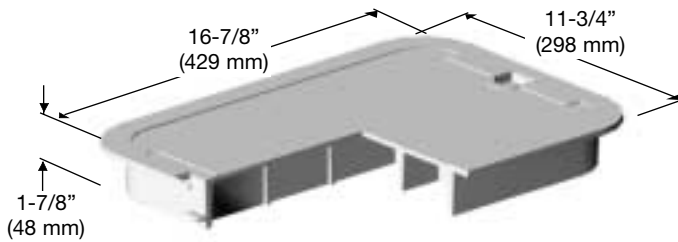
**Flush Cover**

Material: HDPE

Weight: 3.0 lbs.

Model: 1419-3 No Bolt

1419-3B Bolt Down



**T-Cover**

Material: HDPE

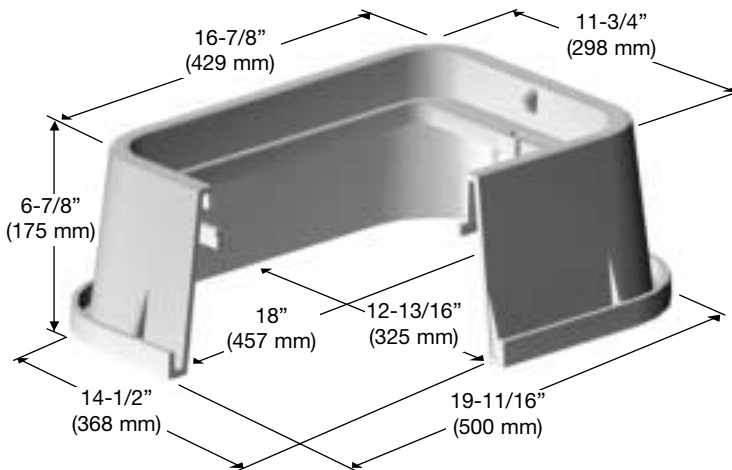
Weight: 3.0 lbs.

Model: 1419-4 No Bolt

1419-4B Bolt Down

See *OPTIONS SECTION*:

- Meter reader cover
- Cast iron cover



**Body**

Material: HDPE

Weight: 4.5 lbs.

Model: 1419-6

**Colors Available**

Green, Gray, Black, Tan or Violet

Note: For use in non-vehicular traffic situations only. We do not recommend installation in concrete or asphalt. Weights and dimensions may vary slightly.

# L Series 1419-6

## Light Duty

### Static Vertical Load Rating (Design Load; Test Load)

- ASTM C857 – A-0.3, 300 lbf/ft<sup>2</sup>; Report Ultimate
- SCTE – Light Duty, Pedestrian; 3,000 lbf

### Shipping Configuration

- Unit, 90 assemblies,  
= 55.75 cu. ft., 775.0 lbs.

## Carson Industries, LLC

### Glendora, California

Toll-Free: 800.735.5566  
Phone: 909.592.6272  
Fax: 909.592.7971

### Roscommon, Ireland

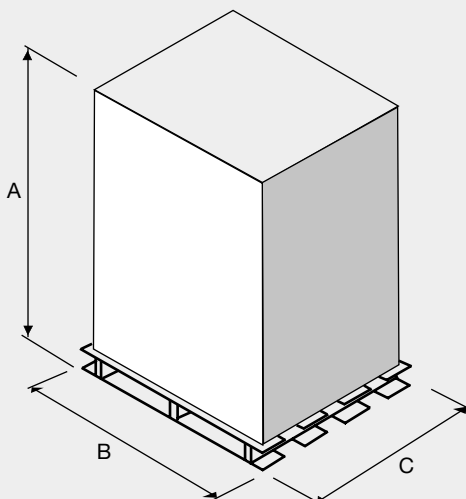
Phone: 35.39.03.25922  
Fax: 35.39.03.25921

Material Property	ASTM Test	
	Method	Typical Value <sup>1</sup>
Type, Class, Category	D 1248	III, A, 3
Density, g/cm <sup>3</sup>	D 1505	0.950 min., not to exceed 0.965
Tensile Strength, at break, psi	D 638	3,000 to 4,400
Elongation, at break, %	D 638	400
Tensile Impact, ft-lb/in <sup>2</sup>	D 1822	27
Flexural Modulus, psi	D 790	120,000 min., not to exceed 240,000
Low Temperature Brittleness, F50, at °C	D 746	<-76
Hardness, Shore D	D 2240	66
Deflection Temperature, at 66 psi, °F	D 648	150° min., not to exceed 200°
Electrical Dielectric Strength, V/mil	D 149	400 min., not to exceed 600
<b>Molded Product<sup>2</sup></b>		
Chemical Resistance	D 543	Very Resistant
Water Absorption	D 570	Less than 1% weight change

<sup>1</sup>The values listed for physical property measurements are nominal values only. Certain physical property measurements are subject to variations consistent with the test methods and are within a generally accepted range for such values.

<sup>2</sup>Test reports available on request.

### Shipping Information



UNIT			FLUSH COVER			T-COVER		
Dim.	Description	Value	Dim.	Description	Value	Dim.	Description	Value
A	Height	51"	A	Height	50"	A	Height	56"
B	Length	40"	B	Length	40"	B	Length	40"
C	Width	48"	C	Width	48"	C	Width	48"

**Units:** 90 per pallet  
**Weight:** 715 lbs. per pallet

**Units:** 250 per pallet  
**Weight:** 790 lbs. per pallet

**Units:** 250 per pallet  
**Weight:** 790 lbs. per pallet

BODY		
Dim.	Description	Value
A	Height	51"
B	Length	40"
C	Width	48"

**Units:** 90 per pallet  
**Weight:** 445 lbs. per pallet

Note: For use in non-vehicular traffic situations only. We do not recommend installation in concrete or asphalt. Weights and dimensions may vary slightly.

All information contained in this brochure was current at the time of printing. Because of Carson Industries' policy of ongoing research and development, the Company reserves the right to discontinue or update product information without notice.