



**Glendora, California**

Toll-Free: 800.735.5566

Phone: 909.592.6272

Fax: 909.592.7971

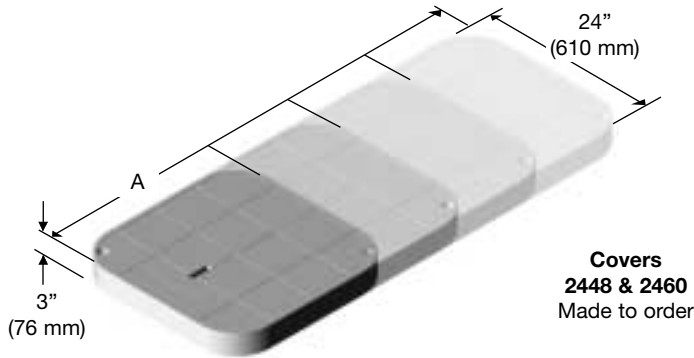
**Roscommon, Ireland**

Phone: 35.39.03.25922

Fax: 35.39.03.25921

# L Series 24-Vaults

## Light Duty



**Flush Cover**

Material: HDPE

**2424 Cover**

Weight: 10.25 lbs.

Model: 2424-3B

A. 23-13/16" (605 mm)

**2436 Cover**

Weight: 15.5 lbs.

Model: 2436-3B

A. 35-3/4" (908 mm)

**2448 Cover**

Weight: 20.75 lbs.

Model: 2448-3B

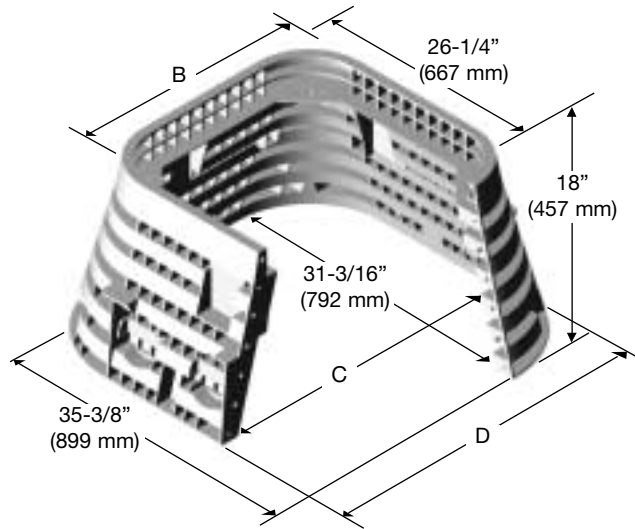
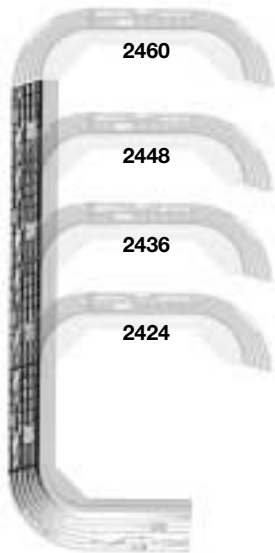
A. 48" (1,219 mm)

**2460 Cover**

Weight: 26.0 lbs.

Model: 2460-3B

A. 60" (1,524 mm)



**Bodies (2424-18, 2436-18, 2448-18, 2460-18)**

Material: HDPE

**2424-18**

Weight: 32.0 lbs.

C. 31.4" (797 mm)

Model: 2424-18

B. 26.4" (668 mm)

D. 35.4" (899 mm)

**2436-18**

Weight: 39.5 lbs.

C. 43" (1,092 mm)

Model: 2436-18

B. 38" (965 mm)

D. 47" (1,193 mm)

**2448-18**

Weight: 47.5 lbs.

C. 55.25" (1,403 mm)

Model: 2448-18

B. 50.3" (1,278 mm)

D. 59.4" (1,509 mm)

**2460-18**

Weight: 55.25 lbs.

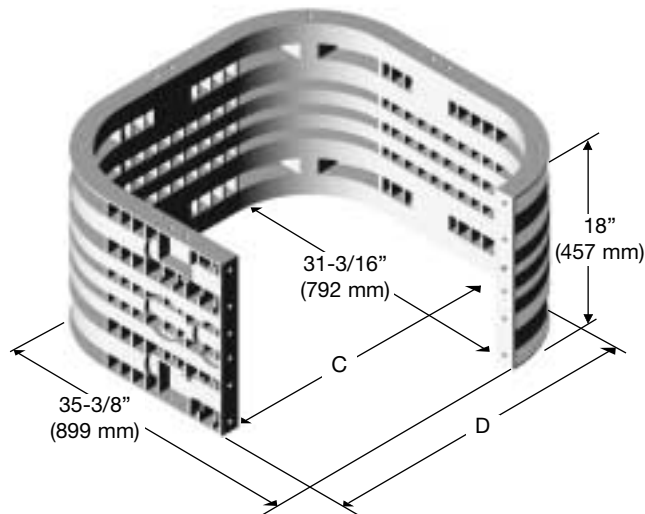
C. 66.9" (1,699 mm)

Model: 2460-18

B. 61.9" (1,572 mm)

D. 71" (1,803 mm)

**TOP VIEW – Available Body/Extension Models**



**Extension – Made to order**

**Extension (height in 6", 12", and 18" increments)**

Material: HDPE

Model: 2424-18X

Weight: 36.75 lbs.

**Options (see OPTION SECTION)**

- Floors
- Drains
- Duct Terminations

**Colors Available**

Gray

Note: For use in non-vehicular traffic situations only. We do not recommend installation in concrete or asphalt. Weights and dimensions may vary slightly.

# L Series 24-Vaults

## Light Duty

### Static Vertical Load Rating (Design Load; Test Load)

- ASTM C857 – A-0.3, 300 lbf/ft<sup>2</sup>; Report Ultimate
- SCTE – Light Duty, Pedestrian; 3,000 lbf

### Shipping Configuration

- **2424-18:** Unit, 4 assemblies, = 36.5 cu. ft., 169.0 lbs.
- **2436-18:** Unit, 4 assemblies, = 48.5 cu. ft., 220.0 lbs.
- **2448-18:** Unit, 4 assemblies, = 61.5 cu. ft., 272.0 lbs.
- **2460-18:** Unit, 4 assemblies, = 73.5 cu. ft., 322.0 lbs.

## Carson Industries, LLC

### Glendora, California

Toll-Free: 800.735.5566  
Phone: 909.592.6272  
Fax: 909.592.7971

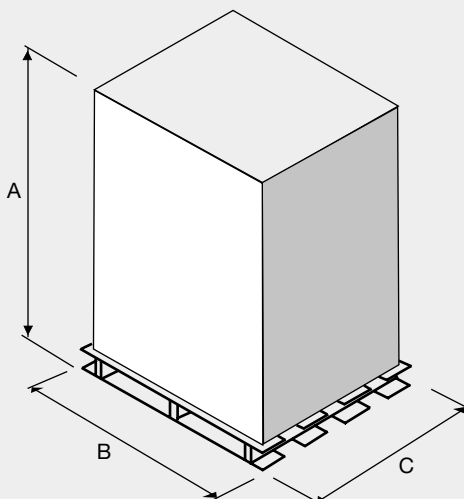
### Roscommon, Ireland

Phone: 35.39.03.25922  
Fax: 35.39.03.25921

Material Property	ASTM Test	
	Method	Typical Value <sup>1</sup>
Type, Class, Category	D 1248	III, A, 3
Density, g/cm <sup>3</sup>	D 1505	0.950 min., not to exceed 0.965
Tensile Strength, at break, psi	D 638	3,000 to 4,400
Elongation, at break, %	D 638	400
Tensile Impact, ft-lb/in <sup>2</sup>	D 1822	27
Flexural Modulus, psi	D 790	120,000 min., not to exceed 240,000
Low Temperature Brittleness, F50, at °C	D 746	<-76
Hardness, Shore D	D 2240	66
Deflection Temperature, at 66 psi, °F	D 648	150° min., not to exceed 200°
Electrical Dielectric Strength, V/mil	D 149	400 min., not to exceed 600
<b>Molded Product<sup>2</sup></b>		
Chemical Resistance	D 543	Very Resistant
Water Absorption	D 570	Less than 1% weight change

<sup>1</sup>The values listed for physical property measurements are nominal values only. Certain physical property measurements are subject to variations consistent with the test methods and are within a generally accepted range for such values.  
<sup>2</sup>Test reports available on request.

### Shipping Information



UNIT 2424-18			UNIT 2436-18			UNIT 2448-18			UNIT 2460-18		
Dim.	Description	Value	Dim.	Description	Value	Dim.	Description	Value	Dim.	Description	Value
A	Height	85"	A	Height	85"	A	Height	85"	A	Height	85"
B	Length	40"	B	Length	40"	B	Length	42"	B	Length	42"
C	Width	48"	C	Width	48"	C	Width	60"	C	Width	70"
Units: 8 per pallet Weight: 378 lbs. per pallet			Units: 8 per pallet Weight: 480 lbs. per pallet			Units: 8 per pallet Weight: 601 lbs. per pallet			Units: 8 per pallet Weight: 705 lbs. per pallet		
BODY 2424-18			BODY 2436-18			BODY 2448-18			BODY 2460-18		
Dim.	Description	Value	Dim.	Description	Value	Dim.	Description	Value	Dim.	Description	Value
A	Height	85"	A	Height	85"	A	Height	85"	A	Height	85"
B	Length	40"	B	Length	40"	B	Length	42"	B	Length	42"
C	Width	48"	C	Width	48"	C	Width	60"	C	Width	70"
Units: 8 per pallet Weight: 296 lbs. per pallet			Units: 8 per pallet Weight: 356 lbs. per pallet			Units: 8 per pallet Weight: 435 lbs. per pallet			Units: 8 per pallet Weight: 497 lbs. per pallet		
COVER 2424			COVER 2436			Note: For use in non-vehicular traffic situations only. We do not recommend installation in concrete or asphalt. Weights and dimensions may vary slightly.					
Dim.	Description	Value	Dim.	Description	Value						
A	Height	78"	A	Height	81"						
B	Length	48"	B	Length	40"	All information contained in this brochure was current at the time of printing. Because of Carson Industries' policy of ongoing research and development, the Company reserves the right to discontinue or update product information without notice.					
C	Width	24"	C	Width	48"						
Units: 50 per pallet Weight: 538 lbs. per pallet			Units: 50 per pallet Weight: 820 lbs. per pallet								