



**Glendora, California**

Toll-Free: 800.735.5566

Phone: 909.592.6272

Fax: 909.592.7971

**Roscommon, Ireland**

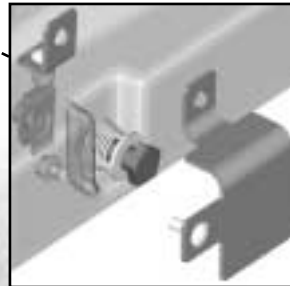
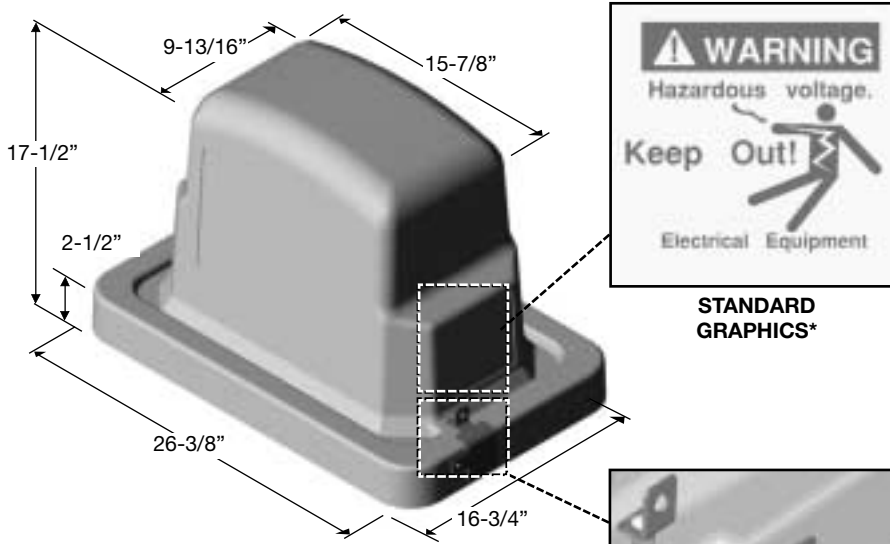
Phone: 35.39.03.25922

Fax: 35.39.03.25921

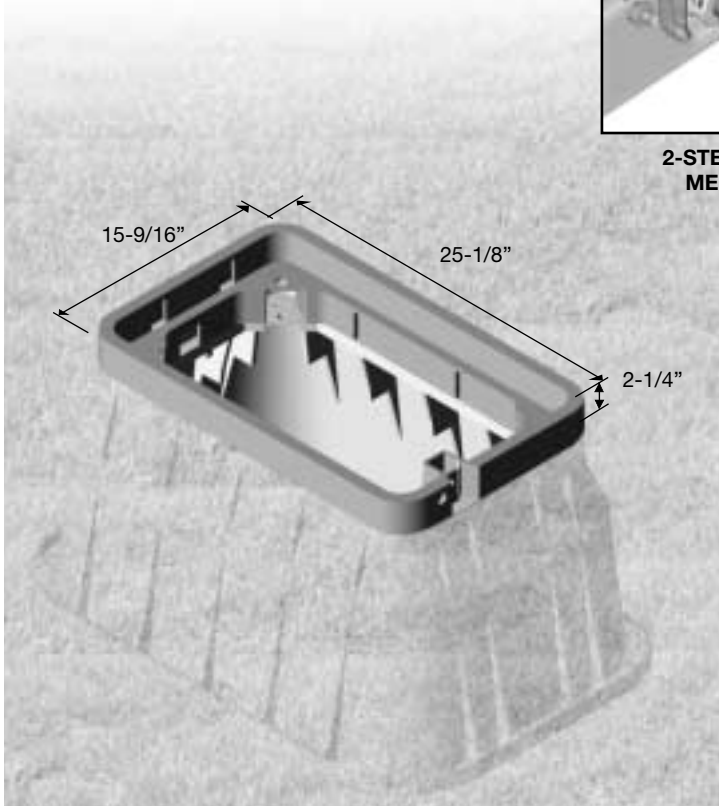
**1324 Pedestal Assembly available as retrofit for our Light Duty 1324 Pedestal Assembly and Vault**

# Electrical Utility Pedestal

**Model: P1324-Retrofit Assembly**



**2-STEP LOCKING MECHANISM**



**TOP**

Material: Linear Low Density Polyethylene

Model: P1324-Retrofit Assembly

Weight: 11.0 lbs.

Colors: Green, Optional colors available with minimum quantities

Hardware: S/S Locking Mechanism with 3/8 Penta Bolt

Fits: 1324 Pedestal Adapter

*\*Custom Labels available with minimum order*

**PEDESTAL ADAPTER INCLUDED WITH ABOVE ASSEMBLY**

Material: HDPE

Weight: 4.12 lbs.

Fits: 1324 L Series Vaults

*(Includes special hardware)*

*(1324 Pedestal Assembly available as a new unit assembly – Pedestal P1324-33)*

# Electrical Utility Pedestal

## Model: P1324 – Retrofit Assembly

### Shipping Configuration

- **Unit:** 24 assemblies,  
= 113.3 cu. ft., 413.0 lbs.

## Carson Industries, LLC

**Glendora, California**  
Toll-Free: 800.735.5566  
Phone: 909.592.6272  
Fax: 909.592.7971

**Roscommon, Ireland**  
Phone: 35.39.03.25922  
Fax: 35.39.03.25921

### LINEAR LOW DENSITY POLYETHYLENE, ROTATIONAL MOLDING

Material Property	ASTM Test	
	Method	Typical Value <sup>1</sup>
Type, Category	D 1248	II, 3
Density, g/cm <sup>3</sup>	D 1505	≥0.935
Tensile Strength, at break, psi	D 638	≥2,500
Elongation, at break, %	D 638	≥400
Flexural Modulus, psi	D 790	≥100,000
Deflection Temperature, at 66 psi, °F	D 648	≥122

### HDPE STRUCTURAL FOAM

Material Property	ASTM Test	
	Method	Typical Value <sup>1</sup>
Type, Class, Category	D 1248	III, A, 3
Density, g/cm <sup>3</sup>	D 1505	0.950 min., not to exceed 0.965
Tensile Strength, at break, psi	D 638	3,000 to 4,400
Elongation, at break, %	D 638	400
Tensile Impact, ft-lb/in <sup>2</sup>	D 1822	27
Flexural Modulus, psi	D 790	120,000 min., not to exceed 240,000
Low Temperature Brittleness, F50, at °C	D 746	<-76
Hardness, Shore D	D 2240	66
Deflection Temperature, at 66 psi, °F	D 648	150° min., not to exceed 200°
Electrical Dielectric Strength, V/mil	D 149	400 min., not to exceed 600

### Molded Product<sup>2</sup>

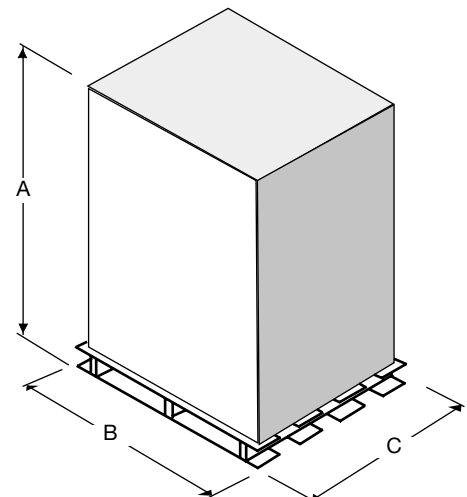
Chemical Resistance	D 543	Very Resistant
Water Absorption	D 570	Less than 1% weight change

<sup>1</sup>The values listed for physical property measurements are nominal values only. Certain physical property measurements are subject to variations consistent with the test methods and are within a generally accepted range for such values.  
<sup>2</sup>Test reports available on request.

### Shipping Information

Dim.	Description	Value
A	Height	102"
B	Length	40"
C	Width	48"

**Units:** 24 per pallet  
**Weight:** 413 lbs. per pallet



All information contained in this brochure was current at the time of printing. Because of Carson Industries' policy of ongoing research and development, the Company reserves the right to discontinue or update product information without notice.