



**Glendora, California**

Toll-Free: 800.735.5566

Phone: 909.592.6272

Fax: 909.592.7971

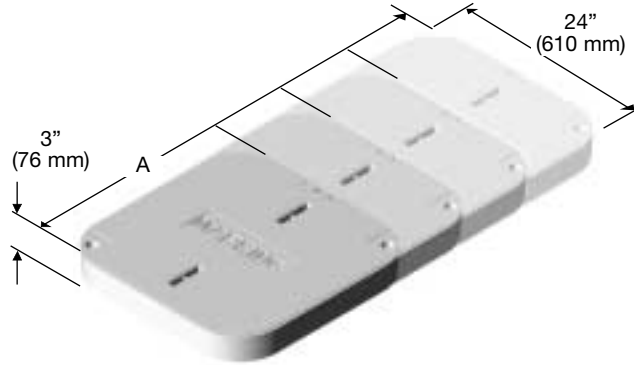
**Roscommon, Ireland**

Phone: 35.39.03.25922

Fax: 35.39.03.25921

# M Series 24-Vaults

## Medium Duty



**Polymer Concrete Covers**

See **OPTIONS SECTION**:

– *Light Weight Cover*

**2424 Cover**

Model: 2424-PC

Weight: 98.0 lbs.

A. 23-5/8" (600 mm)

B. 23-5/8" (600 mm)

**2436 Cover**

Model: 2436-PC

Weight: 140.0 lbs.

A. 35-3/8" (899 mm)

B. 23-3/4" (603 mm)

**2448 Cover**

Model: 2448-PC

Weight: 180.0 lbs.

A. 47-5/8" (1,210 mm)

B. 23-5/16" (592 mm)

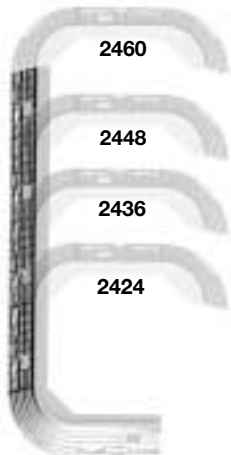
**2460 Cover**

Model: 2460-PC

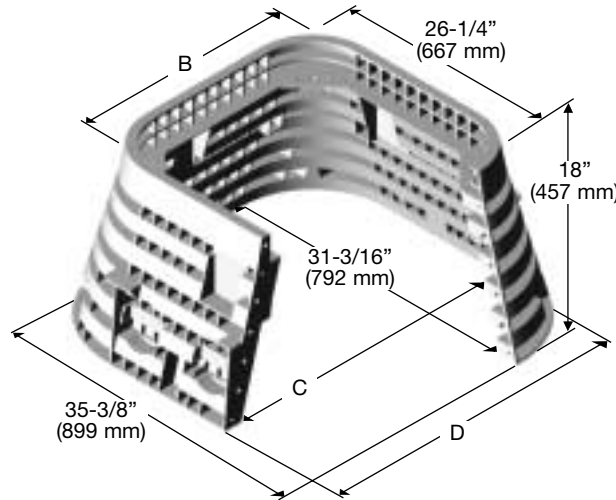
Weight: 201.0 lbs.

A. 59-1/8" (1,502 mm)

B. 23-3/4" (603 mm)



**TOP VIEW – Available Body/Extension Models**



**Bodies (2424-18, 2436-18, 2448-18, 2460-18)**

Material: HDPE

**2424-18**

Model: 2424-18

Weight: 32.0 lbs.

C. 26.4" (668 mm)

D. 31.4" (797 mm)

E. 35.4" (899 mm)

**2436-18**

Model: 2436-18

Weight: 39.5 lbs.

C. 38" (965 mm)

D. 43" (1,092 mm)

E. 47" (1,193 mm)

**2448-18**

Model: 2448-18

Weight: 47.5 lbs.

C. 50.3" (1,278 mm)

D. 55.25" (1,403 mm)

E. 59.4" (1,509 mm)

**2460-18**

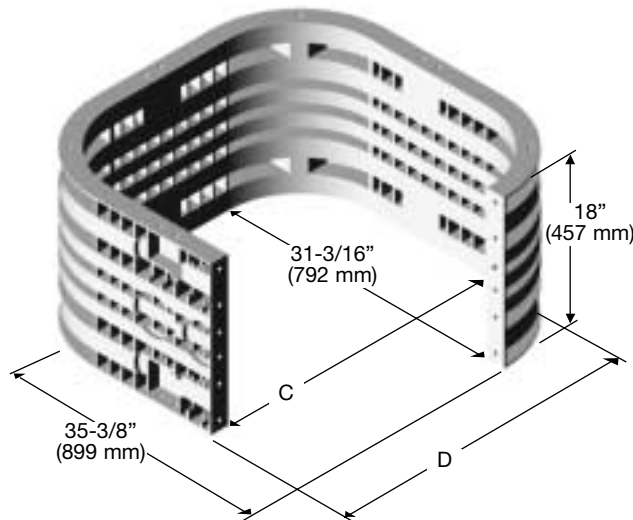
Model: 2460-18

Weight: 55.25 lbs.

C. 61.9" (1,572 mm)

D. 66.9" (1,699 mm)

E. 71" (1,803 mm)



**Extension – Made to order**

**Extension (height in 6", 12" and 18" increments)**

Material: HDPE

Model: 2424-18X

Weight: 36.75 lbs.

**Options (see OPTIONS SECTION)**

– Floors

– Duct Terminations

– Light Weight Covers

– Drains

**Colors Available**

Body – Gray

Cover and Ring – Gray or Green

Note: For use in non-vehicular traffic situations only. Weights and dimensions may vary slightly.

Revision Date 4/2003

# M Series 24-Vaults

## Medium Duty

## Carson Industries, LLC

### Glendora, California

Toll-Free: 800.735.5566

Phone: 909.592.6272

Fax: 909.592.7971

### Roscommon, Ireland

Phone: 35.39.03.25922

Fax: 35.39.03.25921

### Static Vertical Load Rating (Design Load; Test Load)

- Meets or exceeds 20,000 lbf Static Vertical Load
- Tier 5 – 5,200 lbf; 11, 282 lbf
- WUC, Guide 3.6 – 10,400 lbf; Report Ultimate

### Shipping Configuration

- **2424-18:** Unit, 4 assemblies, = 36.5 cu. ft., 520.0 lbs.
- **2436-18:** Unit, 4 assemblies, = 48.5 cu. ft., 718.0 lbs.
- **2448-18:** Unit, 4 assemblies, = 61.5 cu. ft., 909.0 lbs.
- **2460-18:** Unit, 4 assemblies, = 73.5 cu. ft., 1,022.0 lbs.

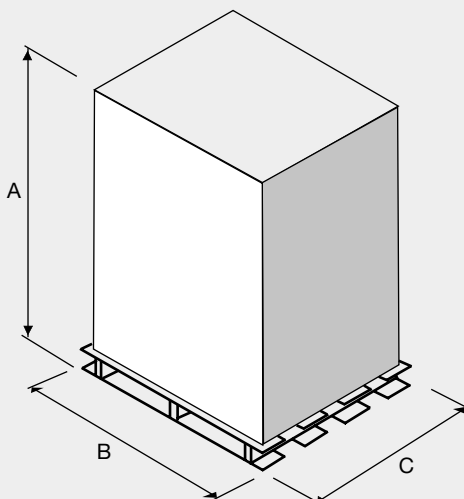
Material Property	ASTM Test Method	Typical Value <sup>1</sup>
Type, Class, Category	D 1248	III, A, 3
Density, g/cm <sup>3</sup>	D 1505	0.950 min., not to exceed 0.965
Tensile Strength, at break, psi	D 638	3,000 to 4,400
Elongation, at break, %	D 638	400
Tensile Impact, ft-lb/in <sup>2</sup>	D 1822	27
Flexural Modulus, psi	D 790	120,000 min., not to exceed 240,000
Low Temperature Brittleness, F50, at °C	D 746	<-76
Hardness, Shore D	D 2240	66
Deflection Temperature, at 66 psi, °F	D 648	150° min., not to exceed 200°
Electrical Dielectric Strength, V/mil	D 149	400 min., not to exceed 600

### Properties of Polymer Concrete Material

Flexural Strength	C 580	7,500 psi
Compression Strength	C 579	11,000 psi

<sup>1</sup>The values listed for physical property measurements are nominal values only. Certain physical property measurements are subject to variations consistent with the test methods and are within a generally accepted range for such values.

### Shipping Information



UNIT 2424-18			UNIT 2436-18			UNIT 2448-18			UNIT 2460-18		
Dim.	Description	Value	Dim.	Description	Value	Dim.	Description	Value	Dim.	Description	Value
A	Height	85"	A	Height	85"	A	Height	85"	A	Height	85"
B	Length	40"	B	Length	40"	B	Length	42"	B	Length	42"
C	Width	48"	C	Width	48"	C	Width	60"	C	Width	70"
<b>Units:</b> 8 per pallet			<b>Units:</b> 8 per pallet			<b>Units:</b> 8 per pallet			<b>Units:</b> 8 per pallet		
<b>Weight:</b> 1,080 lbs. per pallet			<b>Weight:</b> 1,476 lbs. per pallet			<b>Weight:</b> 1,875 lbs. per pallet			<b>Weight:</b> 2,105 lbs. per pallet		
BODY 2424-18			BODY 2436-18			BODY 2448-18			BODY 2460-18		
Dim.	Description	Value	Dim.	Description	Value	Dim.	Description	Value	Dim.	Description	Value
A	Height	85"	A	Height	85"	A	Height	85"	A	Height	85"
B	Length	40"	B	Length	40"	B	Length	42"	B	Length	42"
C	Width	48"	C	Width	48"	C	Width	60"	C	Width	70"
<b>Units:</b> 8 per pallet			<b>Units:</b> 8 per pallet			<b>Units:</b> 8 per pallet			<b>Units:</b> 8 per pallet		
<b>Weight:</b> 296 lbs. per pallet			<b>Weight:</b> 356 lbs. per pallet			<b>Weight:</b> 435 lbs. per pallet			<b>Weight:</b> 497 lbs. per pallet		
COVER 2424			COVER 2436			COVER 2448			COVER 2460		
Dim.	Description	Value	Dim.	Description	Value	Dim.	Description	Value	Dim.	Description	Value
A	Height	22"	A	Height	22"	A	Height	38"	A	Height	38"
B	Length	42"	B	Length	42"	B	Length	42"	B	Length	42"
C	Width	48"	C	Width	48"	C	Width	48"	C	Width	60"
<b>Units:</b> 10 per pallet			<b>Units:</b> 10 per pallet			<b>Units:</b> 10 per pallet			<b>Units:</b> 10 per pallet		
<b>Weight:</b> 1,025 lbs. per pallet			<b>Weight:</b> 1,445 lbs. per pallet			<b>Weight:</b> 1,845 lbs. per pallet			<b>Weight:</b> 2,065 lbs. per pallet		

Note: For use in non-vehicular traffic situations only. Weights and dimensions may vary slightly.

All information contained in this brochure was current at the time of printing. Because of Carson Industries' policy of ongoing research and development, the Company reserves the right to discontinue or update product information without notice.