



Glendora, California

Toll-Free: 800.735.5566

Phone: 909.592.6272

Fax: 909.592.7971

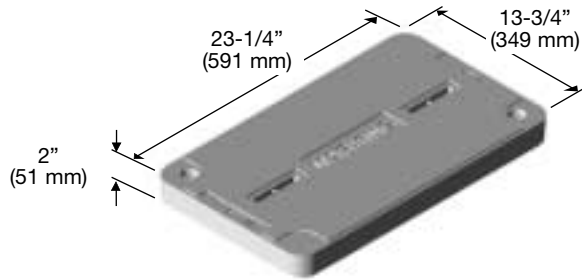
Roscommon, Ireland

Phone: 35.39.03.25922

Fax: 35.39.03.25921

M Series F1324

Medium Duty



Floating Nut Assembly

Cover

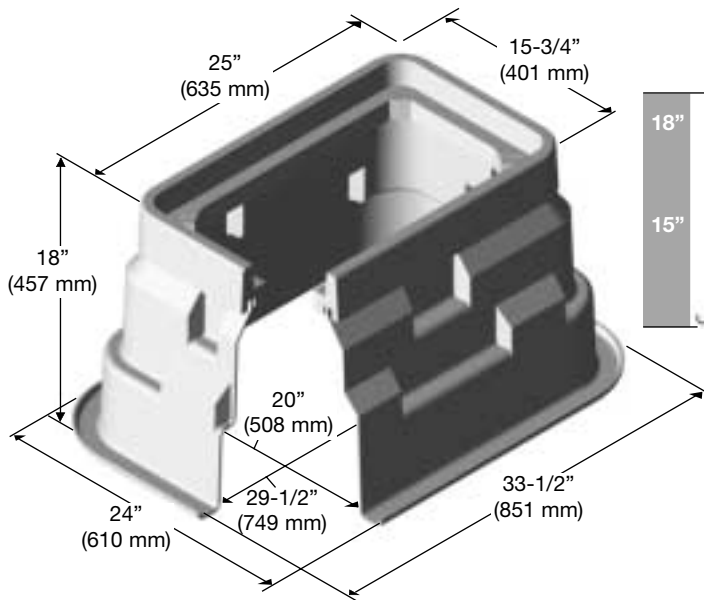
Material: Polymer Concrete

Weight: 45 lbs. (20.25 kg)

Model: H1324-PC

Skid Resistant Surface

Material Compliant with WUC, (Guide 3.6)

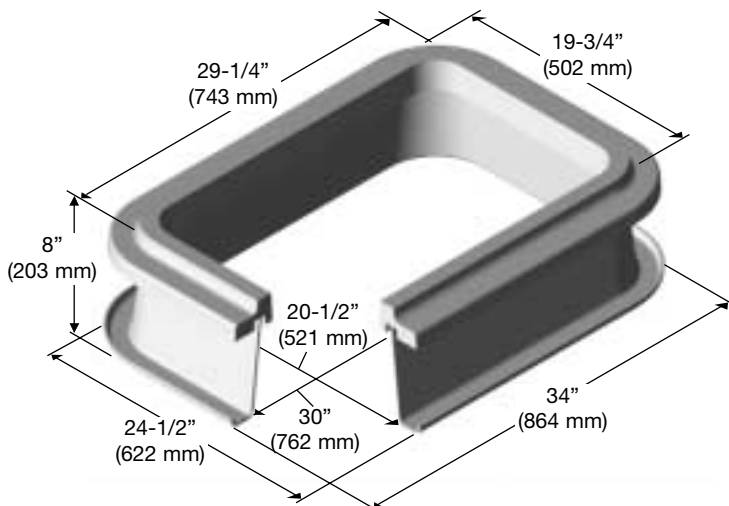


Body

Material: Fiberglass/Polymer Concrete

- 15" Weight: 34 lbs. (15.3 kg)
Model: F1324-15

- 18" Weight: 49 lbs. (20.25 kg)
Model: F1324-18



Extension

Material: Fiberglass/Polymer Concrete

Weight: 30 lbs. (13.5 kg)

Model: F1324-8X

Note: For use in non-vehicular traffic situations only. Weights and dimensions may vary slightly.

Revision Date 4/2003

M Series F1324

Medium Duty

Static Vertical Load Rating (Design Load; Test Load)

- Tier 5 - 5,200 lbf.: 11,282 lbf
- WUC, Guide 3.6 - 10,400 lbf: Report Ultimate
- Meets or exceeds 20,000 lbf Static Vertical Load

Carson Industries, LLC

Glendora, California
Toll-Free: 800.735.5566
Phone: 909.592.6272
Fax: 909.592.7971

Roscommon, Ireland
Phone: 35.39.03.25922
Fax: 35.39.03.25921

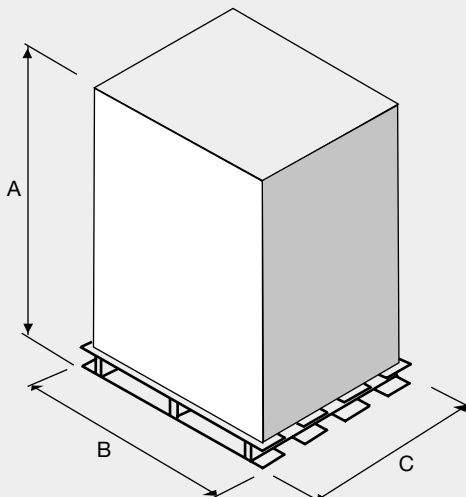
Shipping Configuration

Properties of Base Material	ASTM Test Method	Typical Value
Tensile Strength, at break, PSI	D-2343	9,000
Flexural Modulus, 10 ³ , PSI	D-790	1,490
Density/gram cm ³	D-1505	1.7

Properties of Polymer Concrete Material

Flexural Strength	C-580	7,500 psi
Compression Strength	C-579	11,000 psi

Shipping Information



UNIT 1324-15			COVER 1324-15			BODY 1324-15		
Dim.	Description	Value	Dim.	Description	Value	Dim.	Description	Value
A	Height	56"	A	Height	46"	A	Height	56"
B	Length	42"	B	Length	42"	B	Length	42"
C	Width	48"	C	Width	48"	C	Width	48"

Units: 16 per pallet
Weight: 1,299 lbs. per pallet

Units: 100 per pallet
Weight: 4,540 lbs. per pallet

Units: 16 per pallet
Weight: 579 lbs. per pallet

UNIT 1324-18			COVER 1324-18			BODY 1324-18		
Dim.	Description	Value	Dim.	Description	Value	Dim.	Description	Value
A	Height	54"	A	Height	46"	A	Height	54"
B	Length	42"	B	Length	42"	B	Length	42"
C	Width	48"	C	Width	48"	C	Width	48"

Units: 12 per pallet
Weight: 1,168 lbs. per pallet

Units: 100 per pallet
Weight: 4,540 lbs. per pallet

Units: 12 per pallet
Weight: 628 lbs. per pallet

Note: For use in non-vehicular traffic situations only. Weights and dimensions may vary slightly.

All information contained in this brochure was current at the time of printing. Because of Carson Industries' policy of ongoing research and development, the Company reserves the right to discontinue or update product information without notice.