



**Glendora, California**

Toll-Free: 800.735.5566

Phone: 909.592.6272

Fax: 909.592.7971

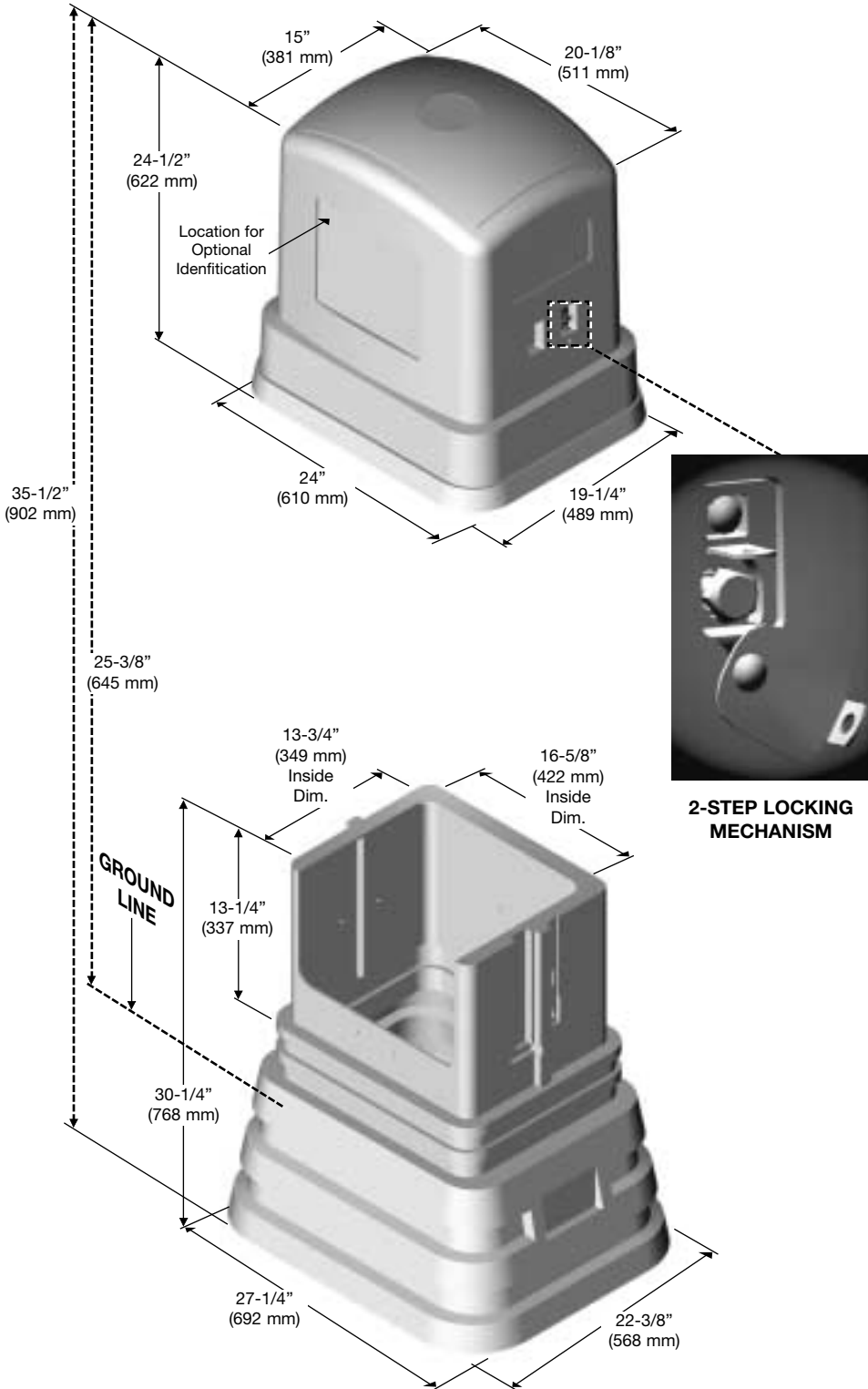
**Roscommon, Ireland**

Phone: 35.39.03.25922

Fax: 35.39.03.25921

# Electrical Utility Pedestal

## Model: P1417-35



**TOP**

Material: LLDPE

Weight: 14 lbs. (6.3 kg)

Hardware: S/S Locking Mechanism with 3/8" Penta Bolt

**BASE**

Material: LLDPE

Weight: 18 lbs. (8.1 kg)

Hardware: S/S Locking Mechanism

**Standard Colors Available**

Dark Green, Gray

**Optional Colors Available**

With minimum quantities: Beige, Brown, Granite (Black Base), Sandstone (Black Base)

**Unit Weight**

32 lbs. (14.4 kg)

# Electrical Utility Pedestal

**Model: P1417-35**

## Shipping Configuration

- **P1417:** Unit, 16 assemblies, 145.04 cu. ft., 532.0 lbs.

## Carson Industries, LLC

### Glendora, California

Toll-Free: 800.735.5566

Phone: 909.592.6272

Fax: 909.592.7971

### Roscommon, Ireland

Phone: 35.39.03.25922

Fax: 35.39.03.25921

## LINEAR LOW DENSITY POLYETHYLENE, ROTATIONAL MOLDING

Material Property	ASTM Test Method	Typical Value <sup>1</sup>
Type, Category	D 1248	II, 3
Density, g/cm <sup>3</sup>	D 1505	≥0.935
Tensile Strength, at break, psi	D 638	≥2,500
Elongation, at break, %	D 638	≥400
Flexural Modulus, psi	D 790	≥100,000
Deflection Temperature, at 66 psi, °F	D 648	≥122

### Features

Linear Low Density Polyethylene (LLDPE) material

Rectangle shape

Cover overlaps base providing security and a consistent fit

Unique Stainless Steel lock

Optional 3" temporary service hole in base is secured from inside enclosure

Unique ribbed base

Designed to meet market needs

Optional colors available

Quality Control System

### Benefits

Resistant to high impact corrosion, chemicals, hostile environments

Aesthetic design and maximum working space

Connection designed for safety and dependable close each time

Dual locking system for security, safety, and reliability

Temporary service hole below ground-line permits fast and easy connection

Industry proven base design provides strength and stability

Conformance to industry standard

Color selections available for local aesthetic requirements

Manufacturing process adheres to strict practice providing the highest quality product

## Shipping Information

Dim.	Description	Value
A	Height	89"
B	Length	44"
C	Width	64"

