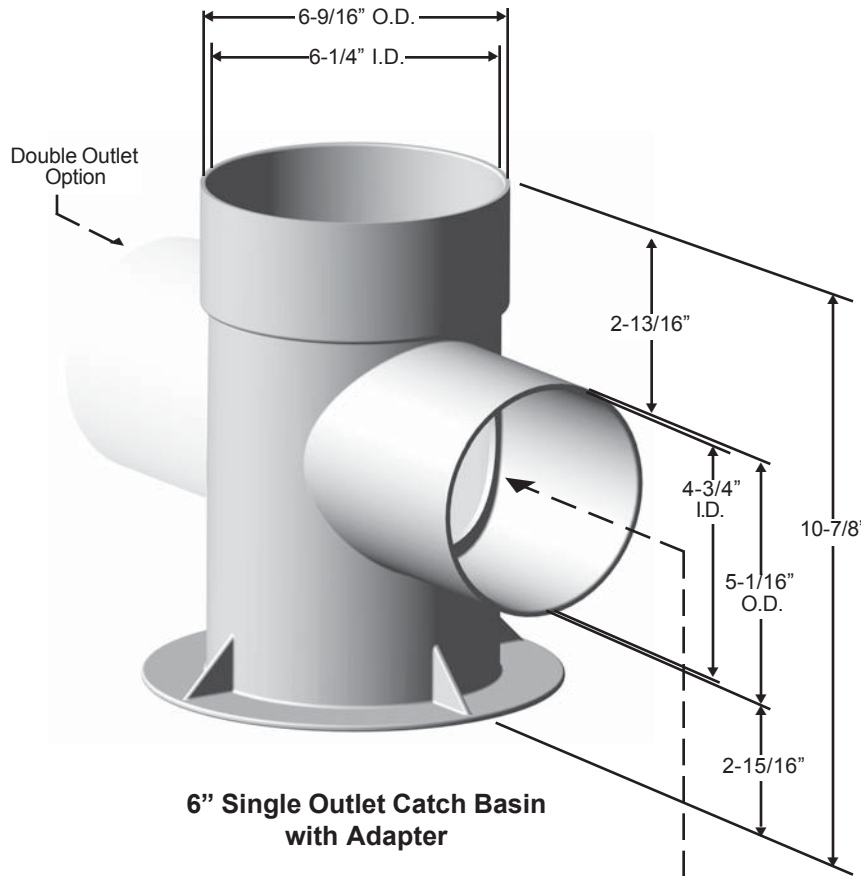


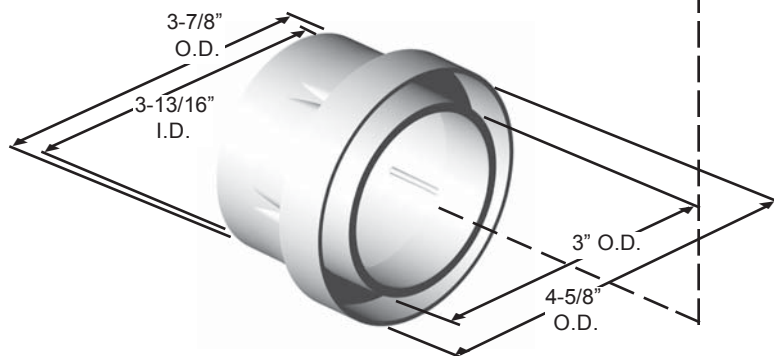


1160 Nicole Court  
 Glendora, CA 91740  
 800-735-5566 • 909-592-6272  
 Fax: 909-592-7971  
 www.carsonind.com

## 6" Catch Basin



**6" Single Outlet Catch Basin with Adapter**



**Universal Outlet Adapter**

### 6" SINGLE OUTLET CATCH BASIN WITH UNIVERSAL OUTLET ADAPTER

#### ■ 6" SINGLE OUTLET CATCH BASIN

**Models:**

- TT-101 Single Outlet
- TT-201 Double Outlet

**Color:** Black

**Fits:** 4" Corrugated Pipe (without adapter)

#### ■ UNIVERSAL OUTLET ADAPTER

**Model:**

- TT-243 Black

**Fits:** 3" & 4" S/D Pipe, 3" & 4" Corrugated and SDR35.

*(Adapter goes inside basin outlet to fit)*

All information contained in this brochure was current at the time of printing. Because of Carson Industries' policy of ongoing research and development, the Company reserves the right to discontinue or update product information without notice.

## Drainage

### Carson Industries, LLC

1160 Nicole Court  
Glendora, CA 91740  
800-735-5566 • 909-592-6272  
Fax: 909-592-7971  
www.carsonind.com

## 6" Catch Basin

### High Impact Polystyrene

#### RAW MATERIAL SPECIFICATIONS

Material Property	ASTM Test Method	Typical Value <sup>1</sup>
Specific Gravity, g/cm <sup>3</sup>	D 792	1.04
Tensile Strength, at yield, psi	D 638	>4,000
Elongation, at break, %	D 638	>35
Notched Izod, ft-lb/in @0.125"	D 256	2-4
Flexural Modulus, psi	D 790	285,000
Deflection Temperature, at 264 psi, °F	D 648	>189

<sup>1</sup>The values listed for physical property measurements are typical values and should not be used as specification limits.

12/18/02

#### SHIPPING INFORMATION

	Carton Quantity	Weight
6" Single Outlet Catch Basin	10	17 lbs.
6" Double Outlet Catch Basin	10	18 lbs.
Universal Outlet Adapter	20	15 lbs.

All information contained in this brochure was current at the time of printing. Because of Carson Industries' policy of ongoing research and development, the Company reserves the right to discontinue or update product information without notice.