

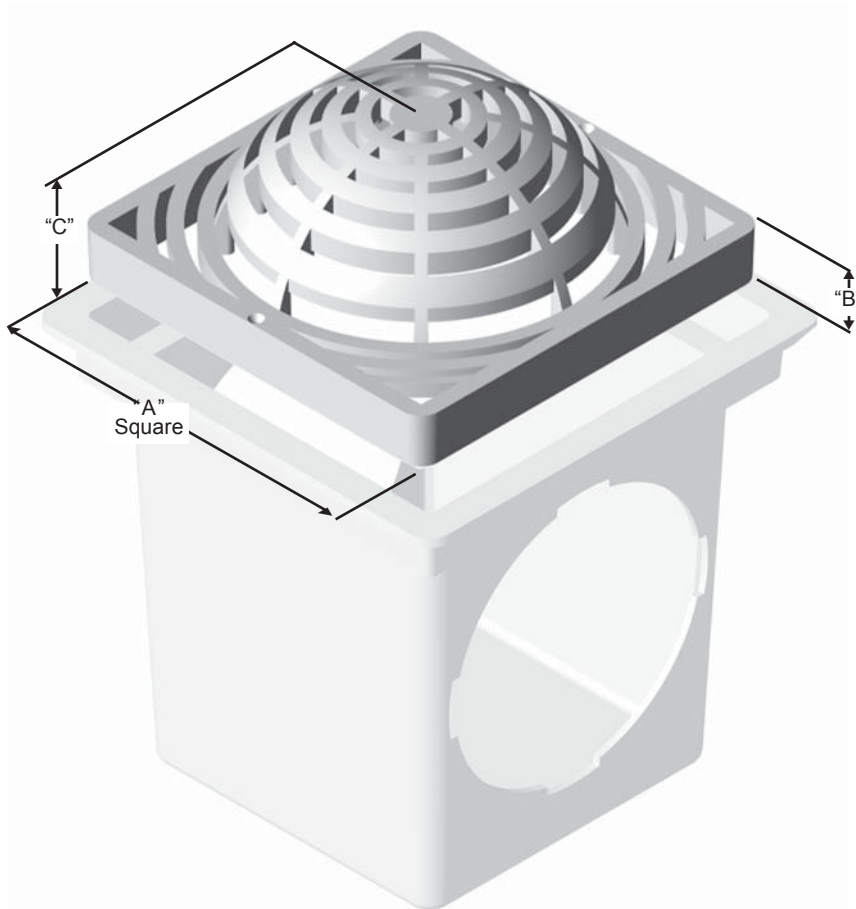


1160 Nicole Court
 Glendora, CA 91740
 800-735-5566 • 909-592-6272
 Fax: 909-592-7971
 www.carsonind.com

Drainage

Catch Basin

Atrium Grates



PRODUCT SIZE	A	B	C
9"	9"	1-1/8"	4-3/4"
12"	11-3/4"	1-1/8"	4-1/2"

9" CATCH BASIN ATRIUM GRATE

Models:

- TT-914 Green
- TT-915 Black

Grate Opening: 1/4"

Open Surface Area: 26.38 Sq. In.

Fits: 9" Catch Basins

12" CATCH BASIN ATRIUM GRATE

Models:

- TT-1225 Green
- TT-1226 Black

Grate Opening: 1/2"

Open Surface Area: 53.04 Sq. In.

Fits: 12" Catch Basins

All information contained in this brochure was current at the time of printing. Because of Carson Industries' policy of ongoing research and development, the Company reserves the right to discontinue or update product information without notice.

Drainage

Catch Basin

Atrium Grates

Carson Industries, LLC

1160 Nicole Court
Glendora, CA 91740
800-735-5566 • 909-592-6272
Fax: 909-592-7971
www.carsonind.com

HDPE Structural Foam

RAW MATERIAL SPECIFICATIONS

Material Property	ASTM Test Method	Typical Value ¹
Type, Class, Category	D 1248	III, A, 3
Density, g/ cm ³	D 1505	0.950 min., not to exceed 0.965
Tensile Strength, at break, psi	D 638	3,000 to 4,400
Elongation, at break, %	D 638	400
Tensile Impact, ft-lb/in ²	D 1822	27
Flexural Modulus, psi	D 790	120,000 min., not to exceed 240,000
Low Temperature Brittleness, F50, at °C	D 746	<-76
Hardness, Shore D	D 2240	66
Deflection Temperature, at 66 psi	D 648	150° min., not to exceed 200°
Electrical Dielectric Strength, V/mil	D 149	400 min., not to exceed 600

Molded Product²

Chemical Resistance	D 543	Very Resistant
Water Absorption	D 570	Less than 1% weight change

¹The values listed for physical property measurements are nominal values only. Certain physical property measurements are subject to variations consistent with the test methods and are within a generally accepted range for such values.

²Test reports available on request.

12/18/02

SHIPPING INFORMATION

	Carton Quantity	Weight
9" Catch Basin Atrium Grate	6	6 lbs.
12" Catch Basin Atrium Grate	8	18 lbs.

All information contained in this brochure was current at the time of printing. Because of Carson Industries' policy of ongoing research and development, the Company reserves the right to discontinue or update product information without notice.