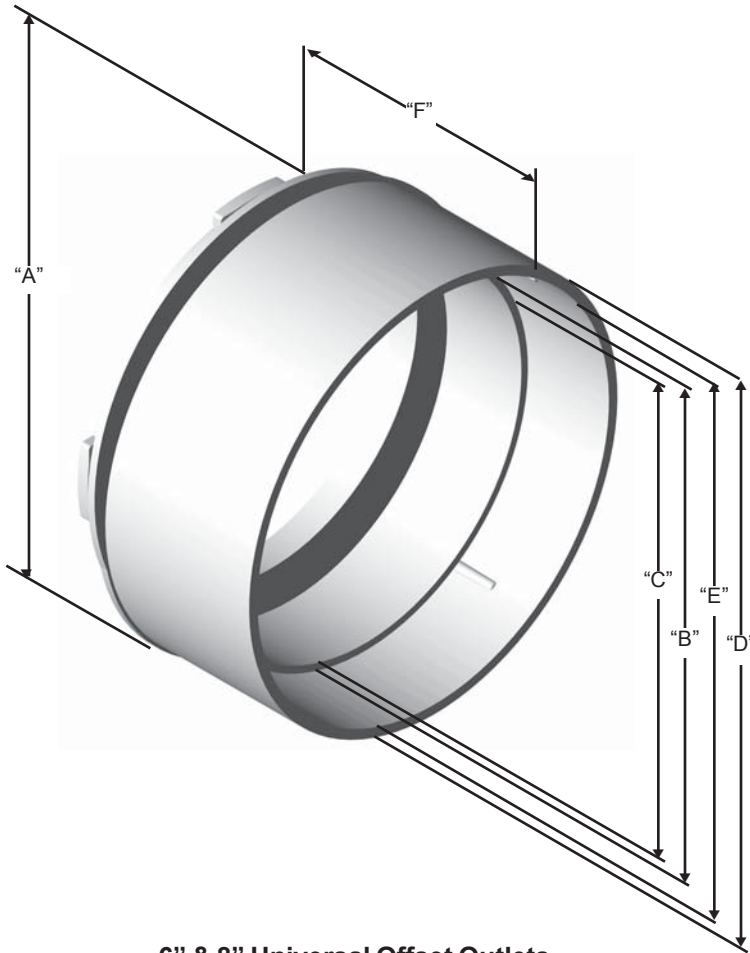


Drainage  
**Catch  
Basin**  
**Adapters**



**6" & 8" Universal Offset Outlets**

PRODUCT SIZE	A	B	C	D	E	F
6"	8"	6-1/2"	6-1/4"	7-3/8"	7"	3"
8"	10"	7-9/16"	7-3/16"	10"	9-1/2"	3"

**6" UNIVERSAL OFFSET OUTLET**

**Models:**

TT-247 Black

**Fits:** 6" Corrugated, 6" S/D Pipe and 6" SDR 35.

**8" UNIVERSAL OFFSET OUTLET**

**Models:**

TT-248 Black

**Fits:** 8" Corrugated and 8" S/D Pipe.

*Adapters fit 9 x 9, 12 x 12, 18 x 18, 24 x 24 Catch Basins, and all Low Profile Series.*

*Offset allows for adjusting inlet height.*

## Drainage

# Catch Basin

## Adapters

### Carson Industries, LLC

1160 Nicole Court  
Glendora, CA 91740  
800-735-5566 • 909-592-6272  
Fax: 909-592-7971  
www.carsonind.com

### High Impact Polystyrene

#### RAW MATERIAL SPECIFICATIONS

Material Property	ASTM Test Method	Typical Value <sup>1</sup>
Specific Gravity, g/cm <sup>3</sup>	D 792	1.04
Tensile Strength, at yield, psi	D 638	>4,000
Elongation, at break, %	D 638	>35
Notched Izod, ft-lb/in @0.125"	D 256	2-4
Flexural Modulus, psi	D 790	285,000
Deflection Temperature, at 264 psi, °F	D 648	>189

<sup>1</sup>The values listed for physical property measurements are typical values and should not be used as specification limits.

12/18/02

#### SHIPPING INFORMATION

	<b>Carton Quantity</b>	<b>Weight</b>
6" Universal Offset Outlet	20	13 lbs.
8" Universal Offset Outlet	8	10 lbs.

All information contained in this brochure was current at the time of printing. Because of Carson Industries' policy of ongoing research and development, the Company reserves the right to discontinue or update product information without notice.