



1160 Nicole Court  
Glendora, CA 91740  
800-735-5566 • 909-592-6272  
Fax: 909-592-7971  
www.carsonind.com

**Polyplastics**

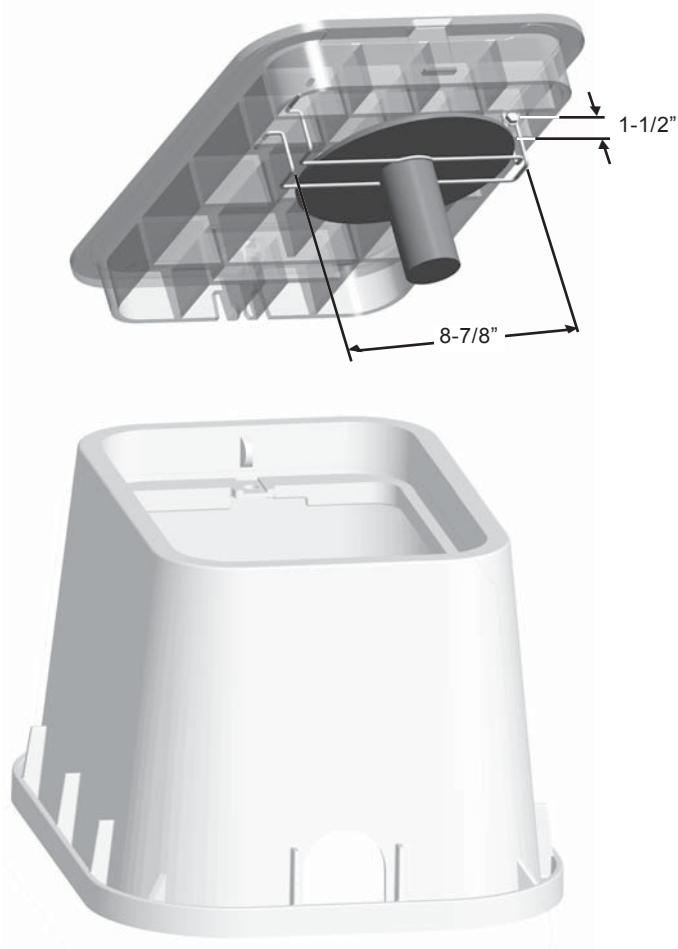
## **AMR Cover**

### **AMR UNDERCOVER HANGAR**

**Part #:**

HGR-001

(Fits 1419-3 flush cover only)



All information contained in this brochure was current at the time of printing. Because of Carson Industries' policy of ongoing research and development, the Company reserves the right to discontinue or update product information without notice.