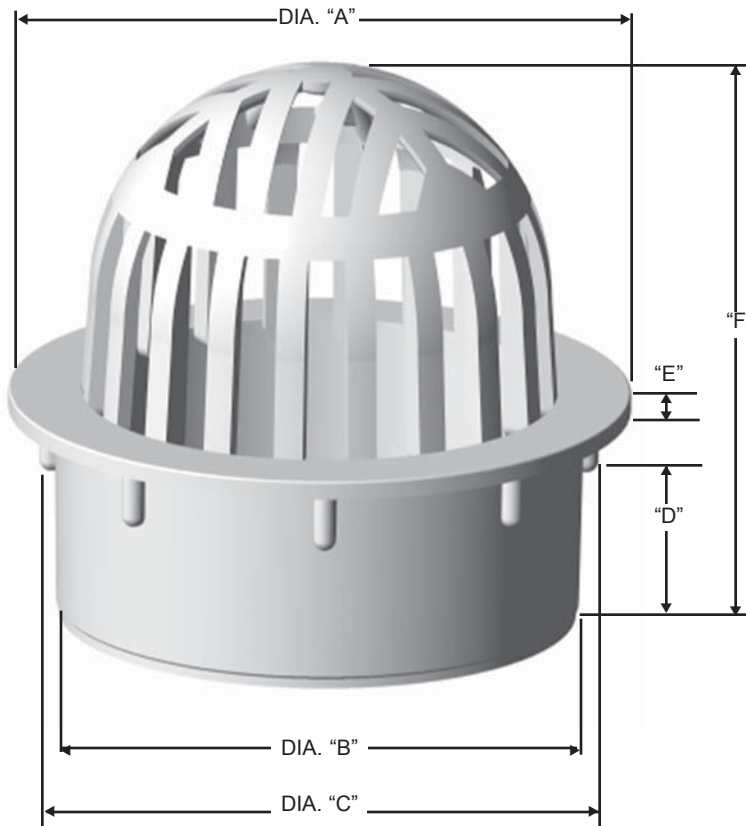


Round Atrium Grates



PRODUCT SIZE	A	B	C	D	E	F
3"	3-13/16"	3"	3-5/16"	7/8"	1/8"	3-5/16"
4"	4-11/16"	4"	4-3/16"	1-1/16"	1/8"	4-1/2"
6"	6-11/16"	5-3/4"	6-5/16"	13/16"	1/4"	5-1/4"

3" ATRIUM GRATE

Models:

TT-145	Green
TT-146	Black
TT-147	Gray
TT-147-T	Tan

Grate Opening: 3/16"

Open Surface Area: 7.88 Sq. In.

Fits: 3" S/D Pipe Fittings, 3" Bellend, 3" Corrugated.

4" ATRIUM GRATE

Models:

TT-148	Green
TT-149	Black
TT-150	Gray
TT-150-T	Tan

Grate Opening: 5/16"

Open Surface Area: 12.64 Sq. In.

Fits: 4" S/D Pipe Fittings, 4" Bellend, 4" Corrugated.

6" ATRIUM GRATE

Models:

TT-151	Green
TT-152	Black
TT-153	Gray
TT-153-T	Tan

Grate Opening: 5/16"

Open Surface Area: 23.91 Sq. In.

Fits: 6" S/D Pipe Fittings, 6" Bellend, 6" Corrugated and 6" Catch Basins.

All information contained in this brochure was current at the time of printing. Because of Carson Industries' policy of ongoing research and development, the Company reserves the right to discontinue or update product information without notice.

Round Atrium Grates

HDPE Structural Foam

RAW MATERIAL SPECIFICATIONS

Material Property	ASTM Test Method	Typical Value ¹
Type, Class, Category	D 1248	III, A, 3
Density, g/ cm ³	D 1505	0.950 min., not to exceed 0.965
Tensile Strength, at break, psi	D 638	3,000 to 4,400
Elongation, at break, %	D 638	400
Tensile Impact, ft-lb/in ²	D 1822	27
Flexural Modulus, psi	D 790	120,000 min., not to exceed 240,000
Low Temperature Brittleness, F50, at °C	D 746	<-76
Hardness, Shore D	D 2240	66
Deflection Temperature, at 66 psi	D 648	150° min., not to exceed 200°
Electrical Dielectric Strength, V/mil	D 149	400 min., not to exceed 600

Molded Product²

Chemical Resistance	D 543	Very Resistant
Water Absorption	D 570	Less than 1% weight change

¹The values listed for physical property measurements are nominal values only. Certain physical property measurements are subject to variations consistent with the test methods and are within a generally accepted range for such values.

²Test reports available on request.

12/18/02

SHIPPING INFORMATION

All information contained in this brochure was current at the time of printing. Because of Carson Industries' policy of ongoing research and development, the Company reserves the right to discontinue or update product information without notice.

	Carton Quantity	Weight
3" Atrium Grate	20	2.9 lbs.
4" Atrium Grate	20	4.25 lbs.
6" Atrium Grate	10	5.75 lbs.