

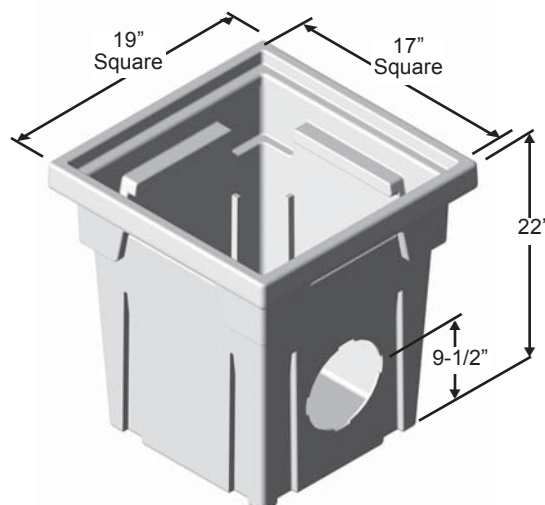
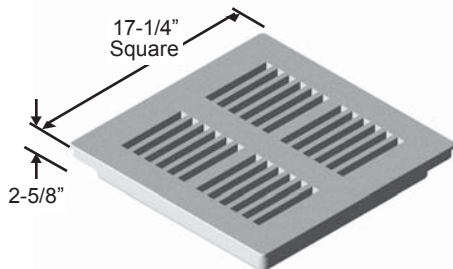
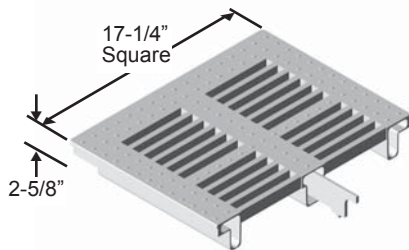
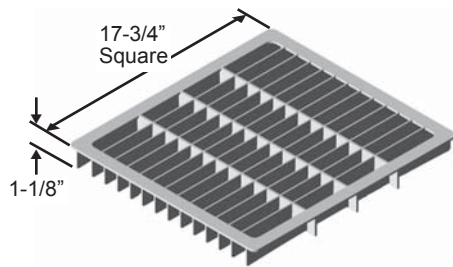


1160 Nicole Court
 Glendora, CA 91740
 800-735-5566 • 909-592-6272
 Fax: 909-592-7971
 www.carsonind.com

Drainage

18" Catch Basin

Grates & Basin



18" GALVANIZED SQUARE GRATE

Models:

- TT-1843 Galvanized
- TT-1844 Black Powder Coated
- TT-1847 Gray Powder Coated

Grate Opening: 1"

Open Surface Area: 291.0 Sq. In.

Fits: 18x18 Catch Basin Series and 18x18 Low Profile Adapters.

18" STEEL REINFORCED GRATE

Models:

- TT-1840 Green
- TT-1841 Black
- TT-1842 Gray

Grate Opening: 3/8"

Open Surface Area: 67.8 Sq. In.

Fits: 18x18 Catch Basin Series and 18x18 Low Profile Adapters.

18" LLDP SQUARE GRATE

Models:

- TT-1835 Green
- TT-1836 Black
- TT-1837 Gray

Grate Opening: 3/8"

Open Surface Area: 67.8 Sq. In.

Fits: 18x18 Catch Basin Series and 18x18 Low Profile Adapters

18" CATCH BASIN

Models:

- TT-1833 2-Way Opening
- TT-1834 4-Way Opening

Color: Black

Material: Linear Low Density Polyethylene (LLDP)

Requires: Either TT244, TT-247, TT-248 Adapters or TT-250 Plug.

All information contained in this brochure was current at the time of printing. Because of Carson Industries' policy of ongoing research and development, the Company reserves the right to discontinue or update product information without notice.

Drainage

18" Catch Basin

Grates & Basin

Carson Industries, LLC

1160 Nicole Court
Glendora, CA 91740
800-735-5566 • 909-592-6272
Fax: 909-592-7971
www.carsonind.com

LINEAR LOW DENSITY POLYETHYLENE, ROTATIONAL MOLDING

RAW MATERIAL SPECIFICATIONS

Material Property	ASTM Test Method	Typical Value ¹
Type, Category	D 1248	II, 3
Density, g/cm ³	D 1505	≥0.935
Tensile Strength, at break, psi	D 638	≥2,500
Elongation, at break, %	D 638	≥400
Flexural Modulus, psi	D 790	≥100,000
Deflection Temperature, at 66 psi, °F	D 648	≥122

¹The values listed for physical property measurements are typical values and should not be used as specification limits.

12/18/02

SHIPPING INFORMATION

	Carton Quantity	Weight
18" Galvanized Square Grate	1	21.24 lbs.
18" Steel Reinforced Grate	1	6.4 lbs.
18" HDPE Square Grate	1	5 lbs.
18" Catch Basin	2	22 lbs.

All information contained in this brochure was current at the time of printing. Because of Carson Industries' policy of ongoing research and development, the Company reserves the right to discontinue or update product information without notice.