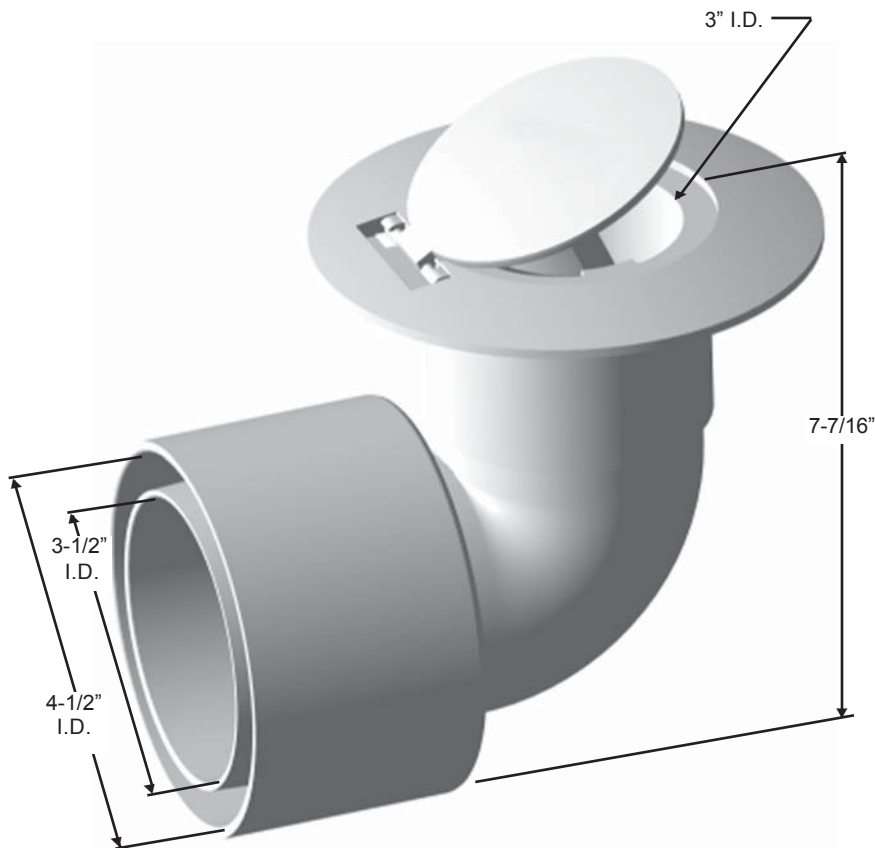




1160 Nicole Court
Glendora, CA 91740
800-735-5566 • 909-592-6272
Fax: 909-592-7971
www.carsonind.com

Drainage

Emitter



DRAINAGE EMITTER

Models:

TT-155 Green Top with
White Fitting

Emitter Opening: 1-15/16"

Fits: 3" and 4" Corrugated Pipe.
3" and 4" S/D Pipe and 4"
PVC.

Material: Flapper Assembly –
High-Density
Polyethylene
Universal Elbow –
PVC (Injection Molding
Grade)

All information contained in this brochure was current at the time of printing. Because of Carson Industries' policy of ongoing research and development, the Company reserves the right to discontinue or update product information without notice.

Drainage

Emitter

Carson Industries, LLC

1160 Nicole Court
Glendora, CA 91740
800-735-5566 • 909-592-6272
Fax: 909-592-7971
www.carsonind.com

RAW MATERIAL SPECIFICATIONS

HDPE STRUCTURAL FOAM

Material Property	ASTM Test Method	Typical Value ¹
Type, Class, Category	D 1248	III, A, 3
Density, g/ cm ³	D 1505	0.950 min., not to exceed 0.965
Tensile Strength, at break, psi	D 638	3,000 to 4,400
Elongation, at break, %	D 638	400
Tensile Impact, ft-lb/in ²	D 1822	27
Flexural Modulus, psi	D 790	120,000 min., not to exceed 240,000
Low Temperature Brittleness, F50, at °C	D 746	<-76
Hardness, Shore D	D 2240	66
Deflection Temperature, at 66 psi	D 648	150° min., not to exceed 200°
Electrical Dielectric Strength, V/mil	D 149	400 min., not to exceed 600

Molded Product²

Chemical Resistance	D 543	Very Resistant
Water Absorption	D 570	Less than 1% weight change

POLYVINYL CHLORIDE, INJECTION MOLDING GRADE

Material Property	ASTM Test Method	Typical Value ¹
Cell Classification	D 1784	12,454
Specific Gravity, g/cm ³	D 792	1.40
Tensile Strength, at yield, psi	D 638	≥7,000
Tensile Modulus, psi	D 638	≥400,000
Flexural Modulus, psi	D 790	≥425,000
Izod Impact, Notched - Method A, Injection Molded 0.125" Bars @73° F, Units - ft-lb/in	D 4226	1.5
Deflection Temperature, at 264 psi, °F	D648	160
Hardness, Shore D	D 2440	80

¹The values listed for physical property measurements are nominal values only. Certain physical property measurements are subject to variations consistent with the test methods and are within a generally accepted range for such values.

²Test reports available on request.

12/18/02

SHIPPING INFORMATION

All information contained in this brochure was current at the time of printing. Because of Carson Industries' policy of ongoing research and development, the Company reserves the right to discontinue or update product information without notice.

	Carton Quantity	Weight
Drainage Emitter	10	18.7 lbs.