

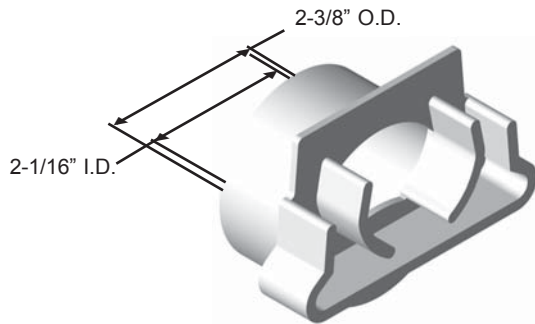


1160 Nicole Court  
Glendora, CA 91740  
800-735-5566 • 909-592-6272  
Fax: 909-592-7971  
www.carsonind.com

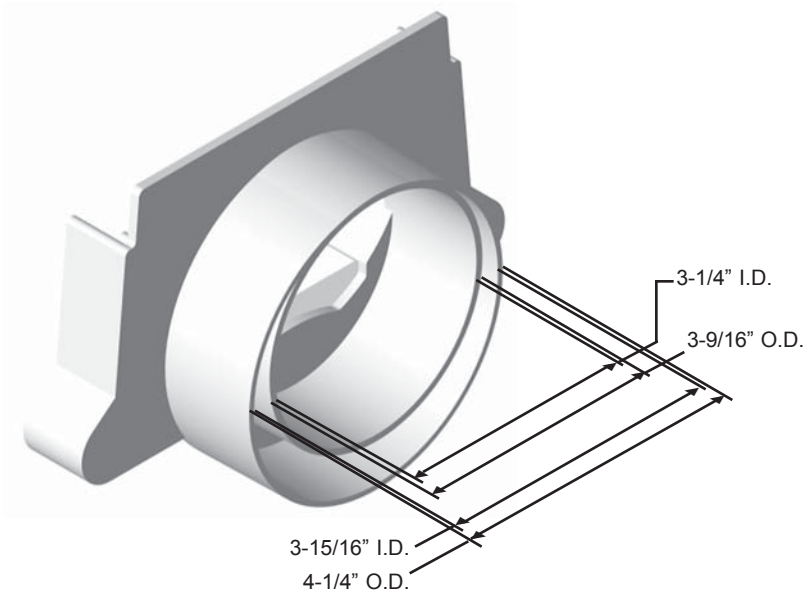
**Drainage**

# Channel Drain

## End Hub Outlet Adapters



**2" End Hub Outlet Adapter**



**4" End Hub Outlet Adapter**

### **2" END HUB OUTLET ADAPTER**

**Model:**

TT-632 Gray

### **4" END HUB OUTLET ADAPTER**

**Model:**

TT-768 Gray

**Fits:** 3" & 4" S/D Pipe

All information contained in this brochure was current at the time of printing. Because of Carson Industries' policy of ongoing research and development, the Company reserves the right to discontinue or update product information without notice.

## Drainage

# Channel Drain

## End Hub Outlet Adapters

### Carson Industries, LLC

1160 Nicole Court  
Glendora, CA 91740  
800-735-5566 • 909-592-6272  
Fax: 909-592-7971  
www.carsonind.com

### PVC (Injection Molding Grade)

#### RAW MATERIAL SPECIFICATIONS

Material Property	ASTM Test Method	Typical Value <sup>1</sup>
Cell Classification	D 1784	12,454
Specific Gravity, g/cm <sup>3</sup>	D 792	1.40
Tensile Strength, at yield, psi	D 638	≥7,000
Tensile Modulus, psi	D 638	≥400,000
Flexural Modulus, psi	D 790	≥425,000
Izod Impact, Notched - Method A, Injection Molded 0.125" Bars, @73° F, Units - ft-lb/in	D 4226	1.5
Deflection Temperature, at 264 psi, °F	D 648	160
Hardness, Shore D	D 2240	80

<sup>1</sup>The values listed for physical property measurements are typical values and should not be used as specification limits.

12/18/02

#### SHIPPING INFORMATION

	Carton Quantity	Weight
2" End Hub Outlet Adapter	20	3 lbs.
4" End Hub Outlet Adapter	24	10 lbs.

All information contained in this brochure was current at the time of printing. Because of Carson Industries' policy of ongoing research and development, the Company reserves the right to discontinue or update product information without notice.