



1160 Nicole Court
 Glendora, CA 91740
 800-735-5566 • 909-592-6272
 Fax: 909-592-7971
 www.carsonind.com

Heavy Duty

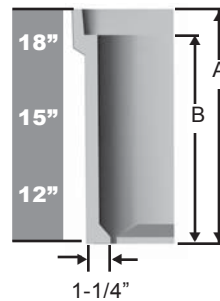
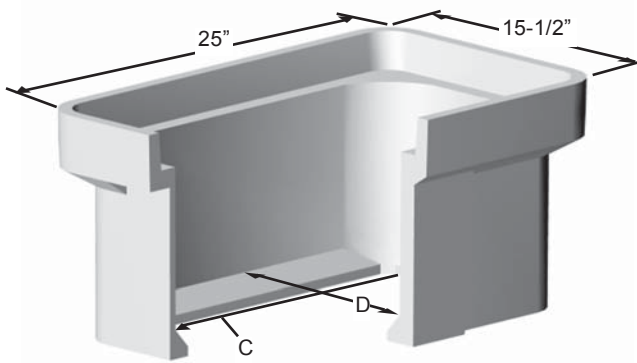
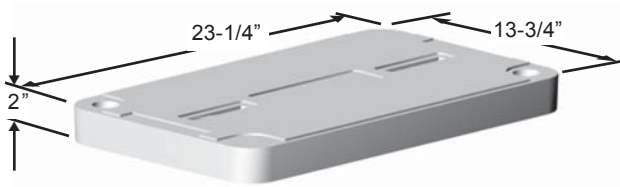
H1324

Polymer Concrete Super Jumbo H-20

COVER¹

Model:
 H1324-P1

Skid Resistant Surface²
*(Material and cover dimensions
 compliant with WUC, Guide 3.6³)*

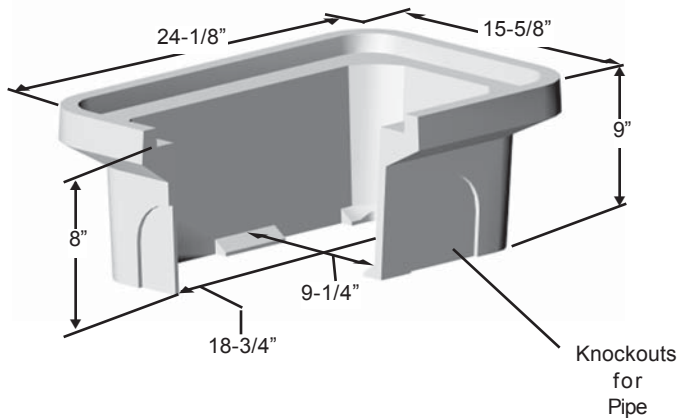


BODIES (12", 15", 18")

Model: H1324-12
 A. 12" B. 10"
 C. 19-1/4" D. 9-3/4"

Model: H1324-15
 A. 15" B. 13"
 C. 19-1/4" D. 9-3/4"

Model: H1324-18
 A. 18" B. 16"
 C. 19-1/4" D. 9-3/4"



BOTTOM EXTENSION

Model: H1324-9X

TOLERANCES

Cover +1/8"; Body +1/8"
 Foot +1/16"; Height +1/4"

Fasteners: 2 each (optional 4 ea) 3/8-16 UNC, Stainless Steel, Hex Head with Washer; Options: size, quantity, type head

Cover Identification is blank unless specified

Pull Slot 1/2" x 4"

Steel Covers Optional

Boxes are stackable. Vertical load ratings are stated for single boxes. For units with MOLDED OPENINGS, subtract 2 lbs from Unit Weight. Weights may vary slightly.

All information contained in this brochure was current at the time of printing. Because of Carson Industries' policy of ongoing research and development, the Company reserves the right to discontinue or update product information without notice.

Heavy Duty

H1324

Polymer Concrete Super Jumbo H-20

Carson Industries, LLC

1160 Nicole Court
Glendora, CA 91740
800-735-5566 • 909-592-6272
Fax: 909-592-7971
www.carsonind.com

RAW MATERIAL SPECIFICATIONS

Polymer Concrete, H-20

Standard Test Method	Properties of Raw Material	ASTM Designation	Test Results
Compressive Strength of Polymer Concretes	Compressive Strength	C 579-96	11,000 psi
Flexural Strength and Modulus of Elasticity of Polymer Concretes	Flexural Strength Modulus of Elasticity	C 580-93	1,800 psi 2,900,000 psi
Chemical Resistance of Polymer Concretes	Chemical Resistance	C 267-97	Pass ⁴
Determination of Impact Resistance by means of a Tup (falling weight)	Impact Resistance	D 2444-93	Pass ⁵

¹AASHTO H-10, ASTM C 857, A-8, 8,000 lbs Design Load. Static Vertical Load Rating >22,880 lbf. SCTE Tier 10, 10,400 lb design load; 22,568 lbf minimum test load.

²Coefficient of Friction (ASTM C1028) >0.5

³Western Underground Committee, Guide 3.6

⁴Specimens exposed to ten reagents (alkalis, acids and petroleum distillates) experience <2% weight and dimensional change and retain >75% of average Compressive Strength. Listing of reagents and test reports available upon request.

⁵Capable of withstanding 70 ft-lbs impact with a type "C" Tup.

VERTICAL AND LATERAL LOAD RATING (*Design Load; Test Load*)

Heavy Duty Covers

- Compliant with AASHTO, Design Load of H-10; ASTM C 857-95, Design Load of A-8, 8,000 lbs. Capable of withstanding a Static Load of >22,880 lbf transferred through a 10" x 10" steel plate centered on the cover and body.
- Compliant with AASHTO, Design Load of H-20; ASTM C 857-95, Design Load of A-16, 16,000 lbs. Capable of withstanding a Static Load of >45,760 lbf transferred through a 10" x 20" steel plate centered on the cover and body.
- This product is designed to withstand H-10 and H-20 loading in incidental or non-deliberate traffic areas. Not intended to be installed in roadways.

SHIPPING INFORMATION

	<u>Weight</u>
1324-P1 Cover	47 lbs.
1324-12 Body	52 lbs.
1324-15 Body	60 lbs.
1324-18 Body	69 lbs.
1324-9X Extension	33 lbs.

Shipping Configuration

12" – Unit, 20 assemblies = 61.83 cu. ft.; 1,980.0 lbs.

15" – Unit, 20 assemblies = 75.83 cu. ft.; 2,140.0 lbs.

18" – Unit, 15 assemblies = 68.83 cu. ft.; 1,800.0 lbs.

All information contained in this brochure was current at the time of printing. Because of Carson Industries' policy of ongoing research and development, the Company reserves the right to discontinue or update product information without notice.