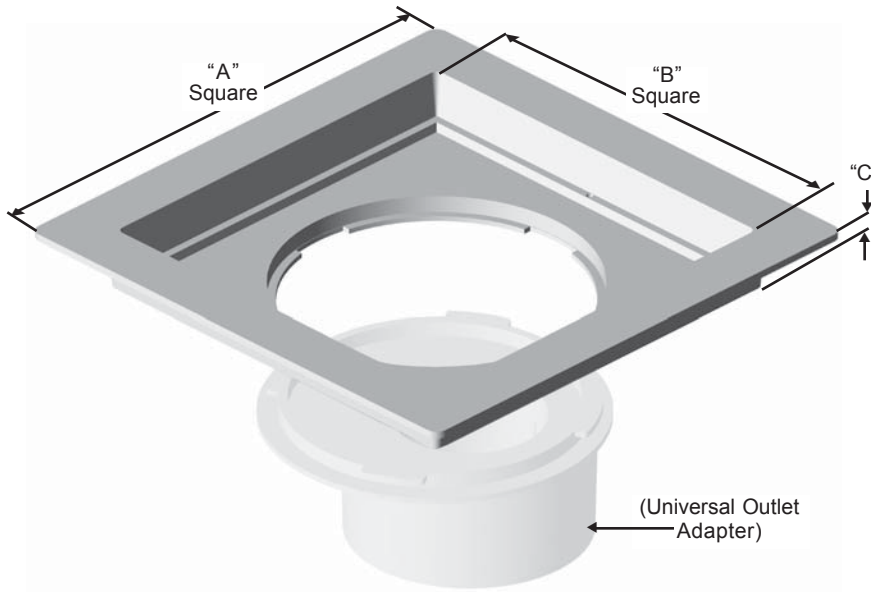


Low Profile Catch Basins



PRODUCT SIZE	A	B	C
9"	11-3/8"	8-7/8"	1-3/4"
12"	14-1/4"	11-1/2"	3-3/8"
18"	18-3/4"	17"	3-1/4"

9" LOW PROFILE CATCH BASIN

Model:
TT-924 Black

Material: High-impact Polystyrene

Requires:
Either #TT-244, TT-247 or
TT-248 Adapters

12" LOW PROFILE CATCH BASIN

Model:
TT-1254 Black

Material: High-impact Polystyrene

Requires:
Either #TT-244, TT247 or
TT-248 Adapters.

18" LOW PROFILE CATCH BASIN

Model:
TT-1846 Black

Material: Linear Low Density
Polyethylene (LLDP)

Requires:
Either #TT-244, TT247 or
TT-248 Adapters.

Low Profile Catch Basins

RAW MATERIAL SPECIFICATIONS

POLYSTYRENE (HIPS)

Material Property	ASTM Test Method	Typical Value ¹
Specific Gravity, g/cm ³	D 792	1.04
Tensile Strength, at yield, psi	D 638	>4,000
Elongation, at break, %	D 638	>35
Notched Izod, ft-lb/in @0.125"	D 256	2-4
Flexural Modulus, psi	D 790	285,000
Deflection Temperature, at 264 psi, °F	D 648	>189

LINEAR LOW DENSITY POLYETHYLENE

Material Property	ASTM Test Method	Typical Value ¹
Type, Category	D 1248	II, 3
Density, g/cm ³	D 1505	≥0.935
Tensile Strength, at break, psi	D 638	≥2,500
Elongation, at break, %	D 638	≥400
Flexural Modulus, psi	D 790	≥100,000
Deflection Temperature, at 66 psi, °F	D 648	≥122

¹The values listed for physical property measurements are typical values and should not be used as specification limits.

12/18/02

SHIPPING INFORMATION

	Carton Quantity	Weight
9" Low Profile Catch Basin	8	10 lbs.
12" Low Profile Catch Basin	8	16 lbs.
18" Low Profile Catch Basin	1	3 lbs.

All information contained in this brochure was current at the time of printing. Because of Carson Industries' policy of ongoing research and development, the Company reserves the right to discontinue or update product information without notice.